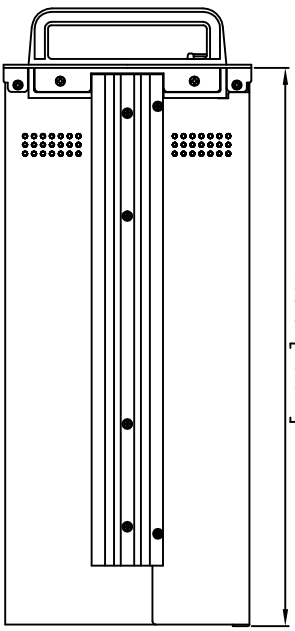
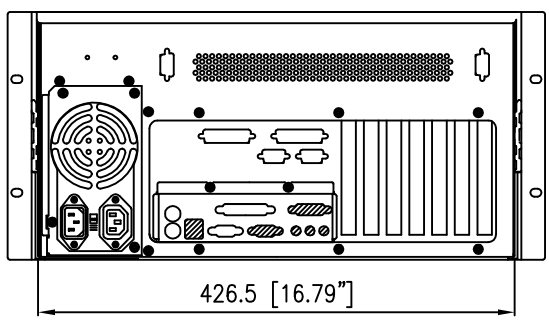
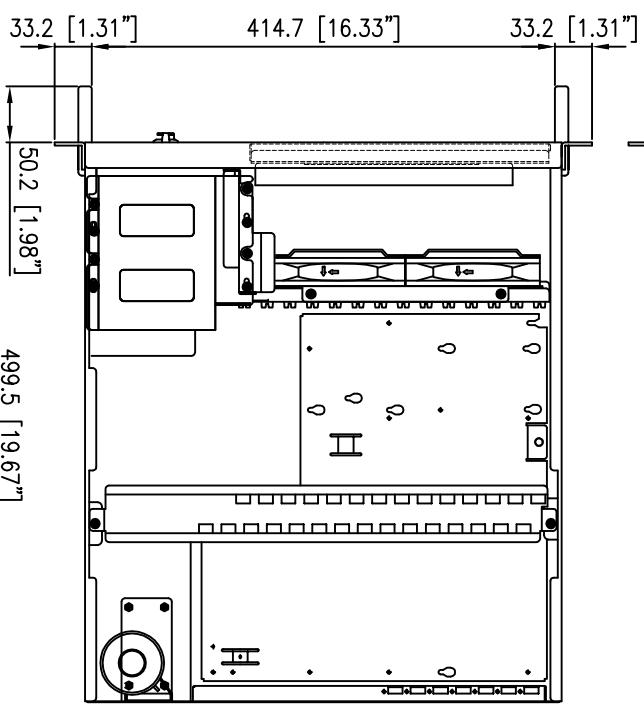
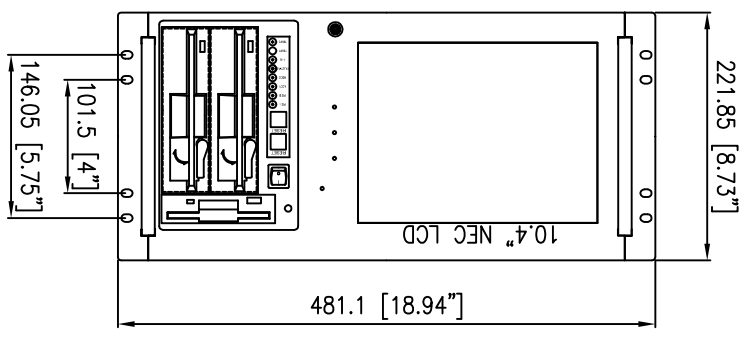
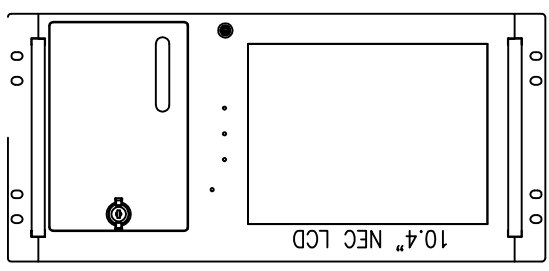
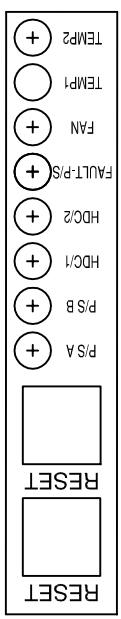


REVISION	DATE	DESCRIPTION	SIGNATURE



758E1

JOYANCE
 THE DRAWING CONTAINS PROPRIETARY INFORMATION
 ANY REPRODUCTION OR USE OF THIS DRAWING,
 IN WHOLE OR IN PART, WITHOUT A WRITTEN
 PERMISSION FROM JOYANCE CORPORATION IS
 EXPRESSLY PROHIBITED.
 CUSTOMER APPROVAL: _____

PROJ	SCALE 1:1	TITLE	DIA. DRAWING	REV.
APP	DO NOT SCALE DIMS	MODEL	758E1-DIA	1
CHK		DWG	758E1	1
DGN		UNIT	MM	SIZE
DRW	LIU	DATE	02/03/15	A3

